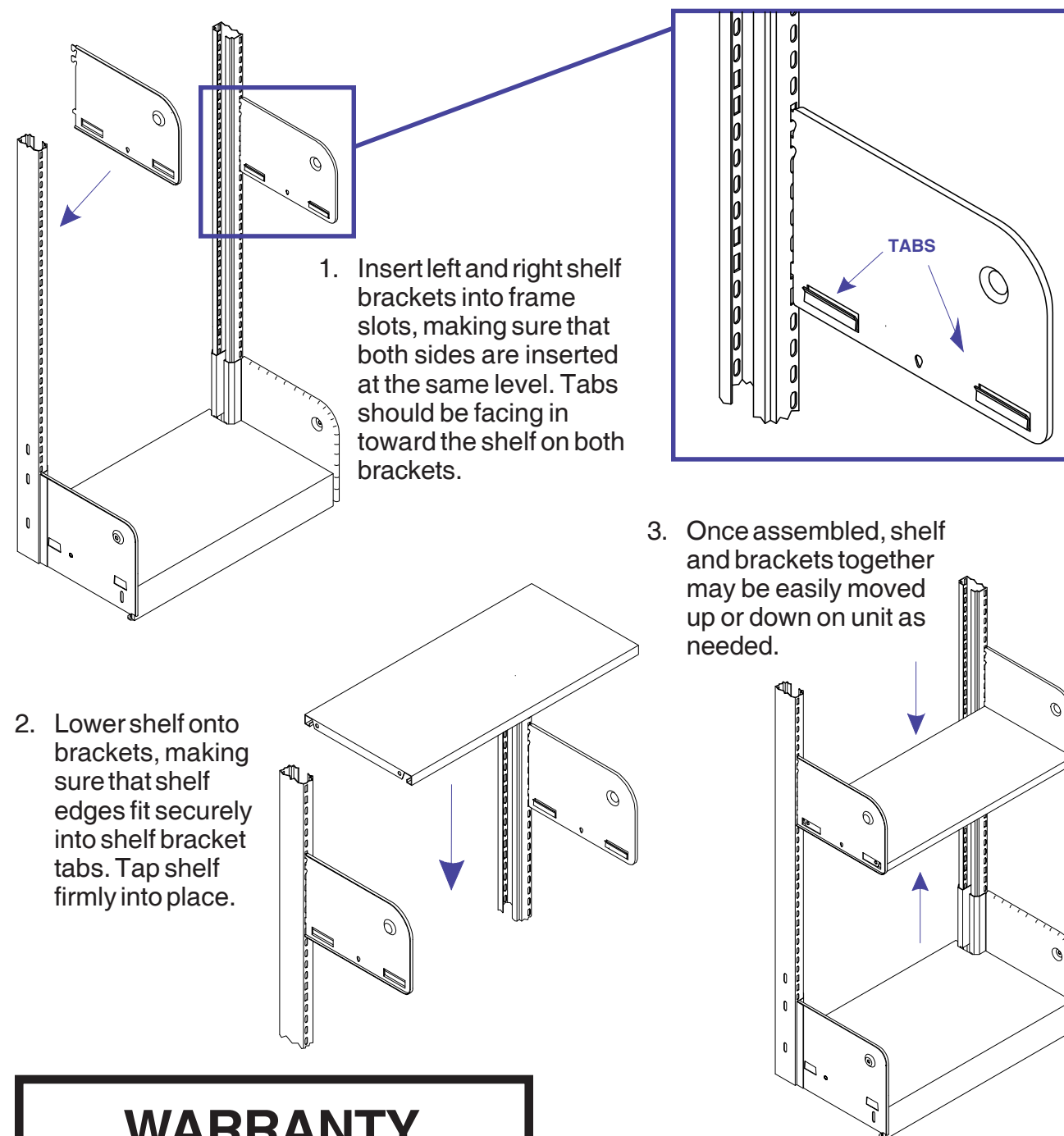


ESTEY®

INSTALLING BRACKETS AND SHELVES



WARRANTY

Estey warrants goods purchased hereunder to be free of defects in materials and workmanship for a period of one (1) year from date of shipment, hereunder. This warranty shall not apply in the event goods are damaged as a result of misuse, abuse, neglect, accident, improper application, modification or repair by persons not authorized by Seller, where goods are damaged during shipment, or where the date stamp on the goods has been defaced, modified or removed. UNLESS CONSIDERED UNENFORCEABLE OR UNLAWFUL UNDER APPLICABLE LAW.

ESTEY®

Division of Tennsco Corp.
201 Tennsco Drive
Dickson, TN 37055
Telephone (800) 251-8184
Fax (800) 722-0134

ESTEY® WELD-FRAME SHELVING



Base Unit Instruction Sheet

Important!

1. Read through entire instructions before attempting to assemble the bookstacks.
2. Check bundles against packing slip to ensure proper quantities were received.
3. Check closely to see that units are leveled along range length as well as depth.

SINGLE ENTRY—Frame Setup

Pieces You Will Use:

1. Weld Frame (A)
2. EITHER Fixed Base Brackets (B)
OR Adjustable Base Brackets (C)
OR Sloping Base Brackets (D)
3. Machine Bolts:
 - 1/4"-20 x 1" hex-head (E)
 - 1/4"-20 x 1/2" hex-head (F)
 - 1/4"-20 x 3/8" round-head (G)

Fixed Base Bracket

USED WITH THESE BASESHELVES:

- IBSFBxxx Intergal Back Base Shelf
- DIVBSxxx Divider Fixed Base Shelf
- FBSxxx Single Face Fixed Base Shelf
- BDFxxx Intergal Back Divider Base Shelf

Adjustable Base Bracket

USED WITH THESE STANDARD SHELVES:

- BLxxx Book Library Shelf
- DSxxx Divider Shelf
- IBSxxx Intergal Back Shelf
- SRAxxx Reinforced Shelf
- SCxxx Slotted Compressor Shelf
- BDAxxx Intergal Back Divider Shelf

Sloping Base Bracket

USED WITH THESE BASESHELVES:

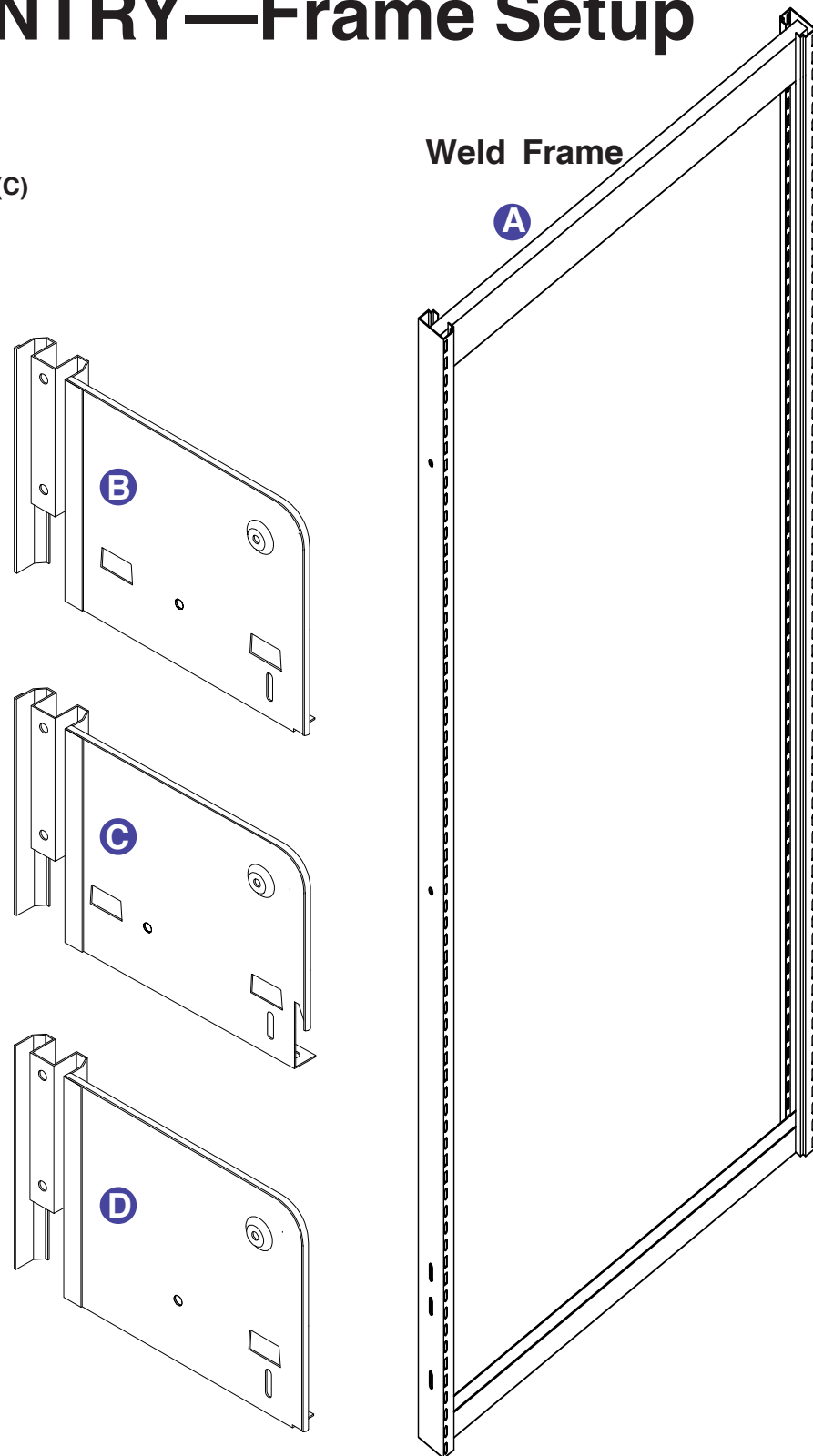
- SBSxxx Sloping Base Shelf
- VCBSHxx Video Cassette/
Paperback Book Shelf

Bolts

1/4"-20 x 1" hex-head machine bolt 

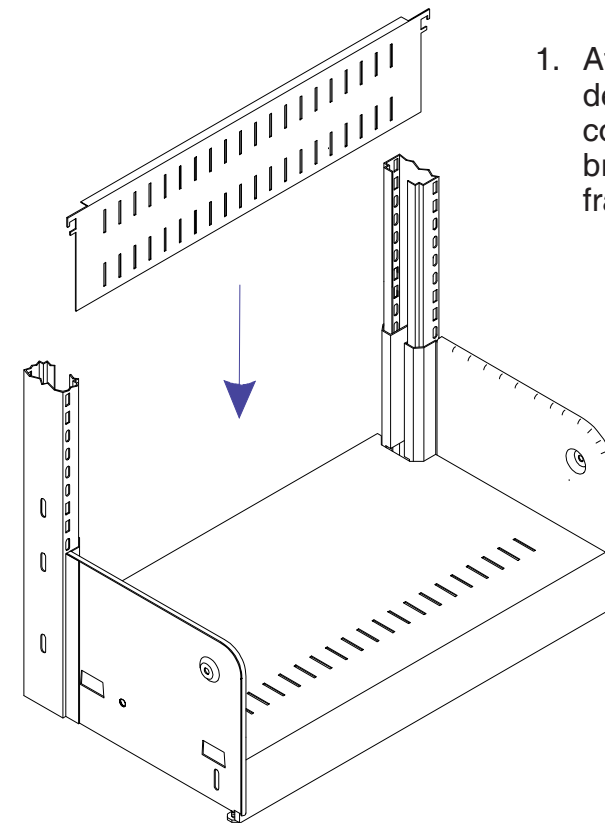
1/4"-20 x 1/2" hex-head machine bolt 

1/4"-20 x 3/8" round-head machine bolt 

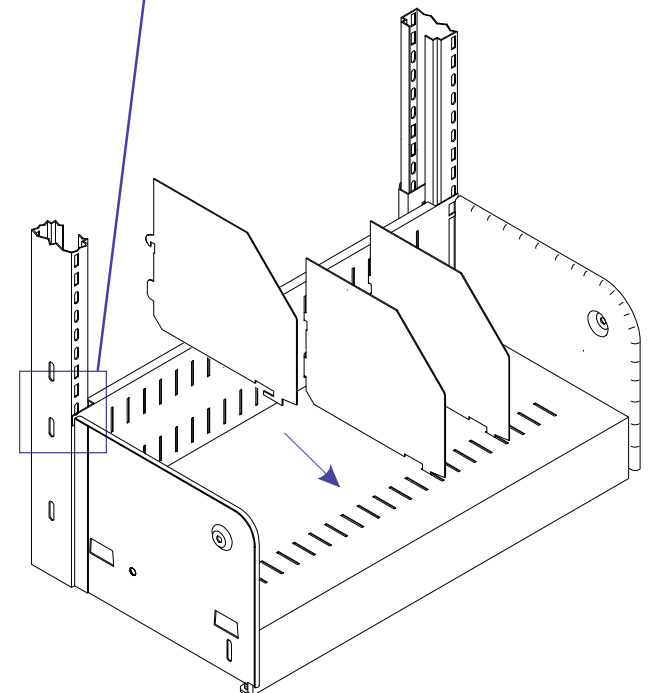
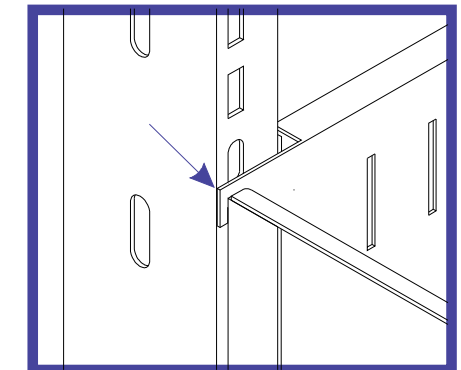


SINGLE ENTRY ASSEMBLY INSTRUCTIONS BEGIN ON PAGE 4

DIVIDER BASE SHELF & BACKSTOP

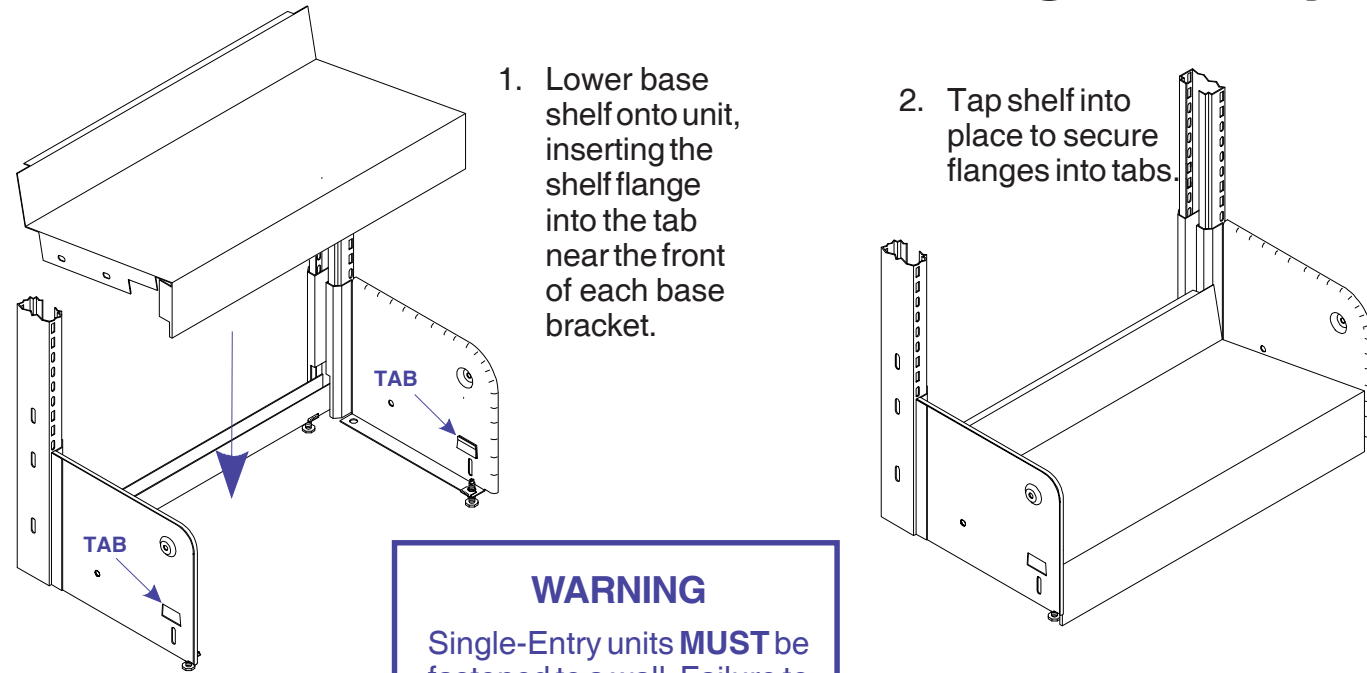


1. After inserting base shelf as previously described, lower back stop onto unit, connecting the backstop hooks onto base bracket between the base bracket and frame (as shown in inset below).



2. Place dividers as needed by inserting in to shelf and then hooking onto backstop (pulling backstop toward you if necessary).

SLOPING BASE SHELF—Single Entry

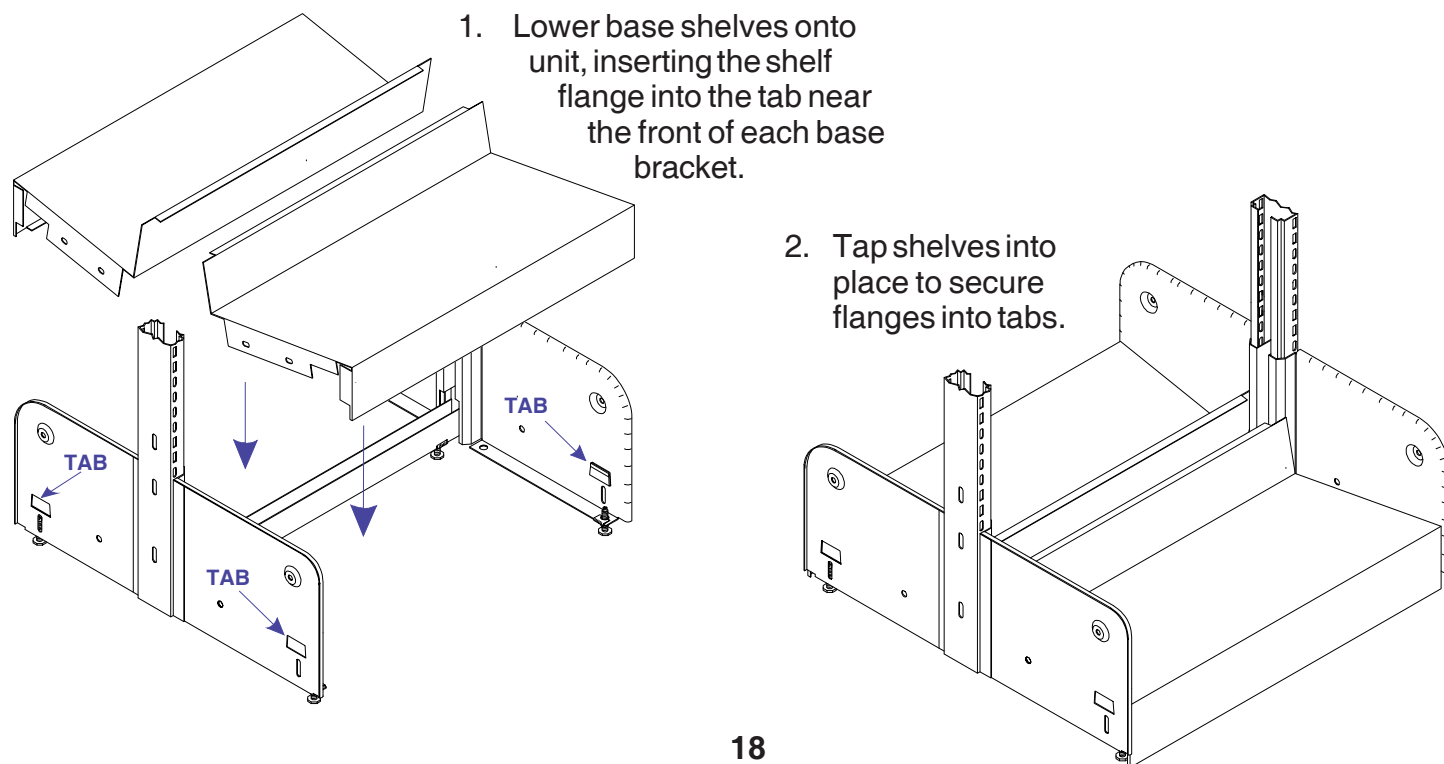


1. Lower base shelf onto unit, inserting the shelf flange into the tab near the front of each base bracket.

2. Tap shelf into place to secure flanges into tabs.

WARNING
Single-Entry units **MUST** be fastened to a wall. Failure to do so could result in injury.

SLOPING BASE SHELF—Double Entry



1. Lower base shelves onto unit, inserting the shelf flange into the tab near the front of each base bracket.

2. Tap shelves into place to secure flanges into tabs.

DOUBLE ENTRY—Frame Setup

Pieces You Will Use:

1. Weld Frame (A)
2. EITHER Fixed Base Brackets (B)
OR Adjustable Base Brackets (C)
OR Sloping Base Brackets (D)
3. Bolts:
1/4"-20 x 1" hex-head (E)
1/4"-20 x 1/2" hex-head (F)
1/4"-20 x 3/8" round-head (G)

Fixed Base Bracket

USED WITH THESE BASESHELVES:

IBDFBxxxx	Intergal Back Base Shelf
DIVBDxxxx	Divider Fixed Base Shelf
FBDxxxx	Double Face Fixed Base Shelf
BDFxxxx	Intergal Back Divider Base Shelf

Adjustable Base Bracket

USED WITH THESE STANDARD SHELVES:

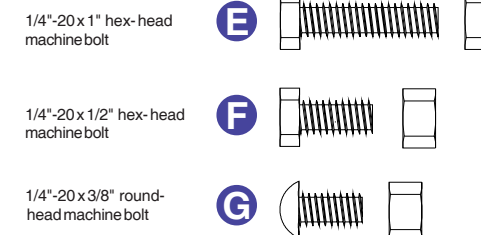
BLxxxx	Book Library Shelf
DSxxxx	Divider Shelf
IBSxxxx	Intergal Back Shelf
SRAxxxx	Reinforced Shelf
SCxxxx	Slotted Compressor Shelf
BDAxxxx	Intergal Back Divider Shelf

Sloping Base Bracket

USED WITH THESE BASESHELVES:

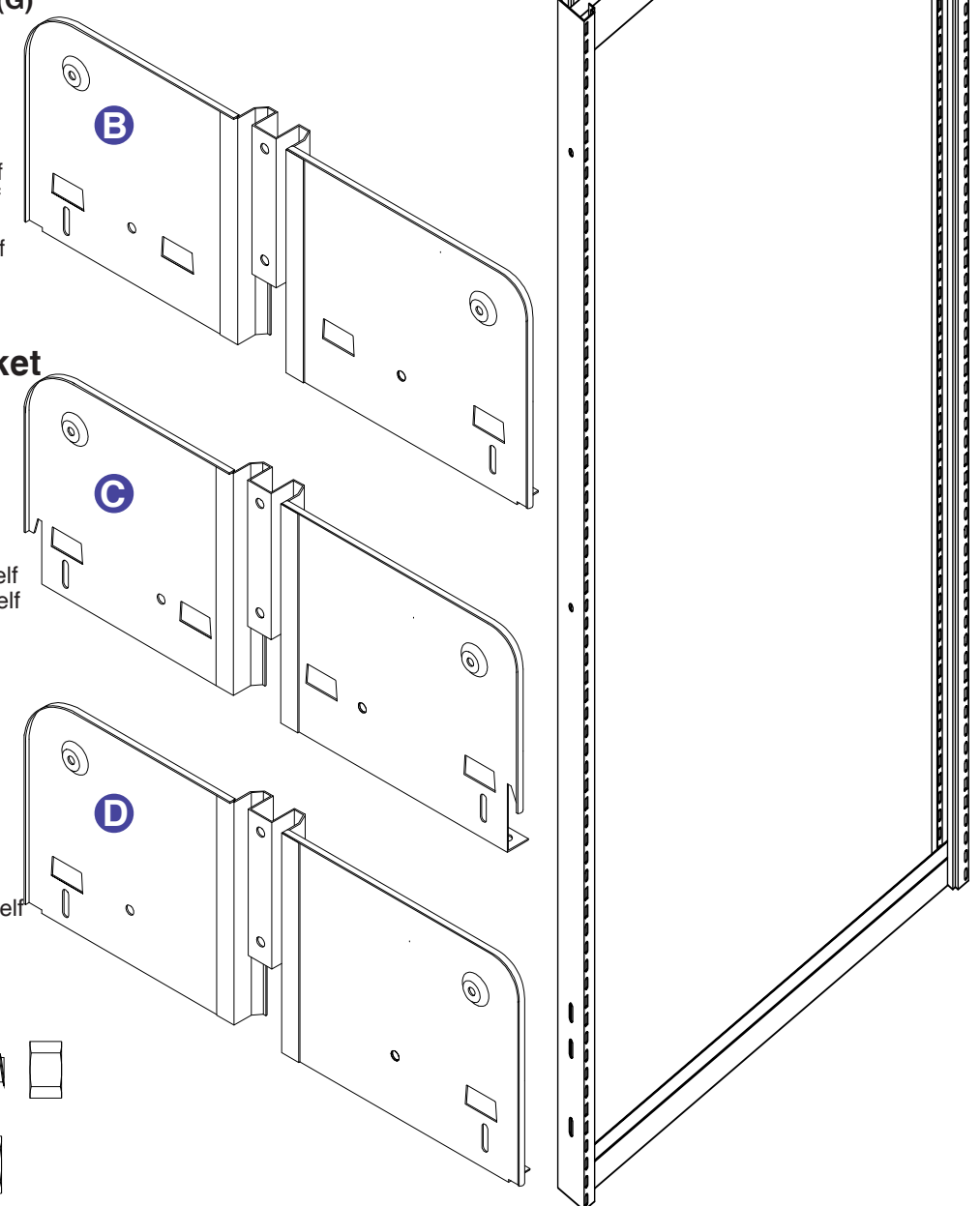
SBSxxxx	Sloping Base Shelf
VCBSHxx	Video Cassette/ Paperback Book Shelf

Bolts



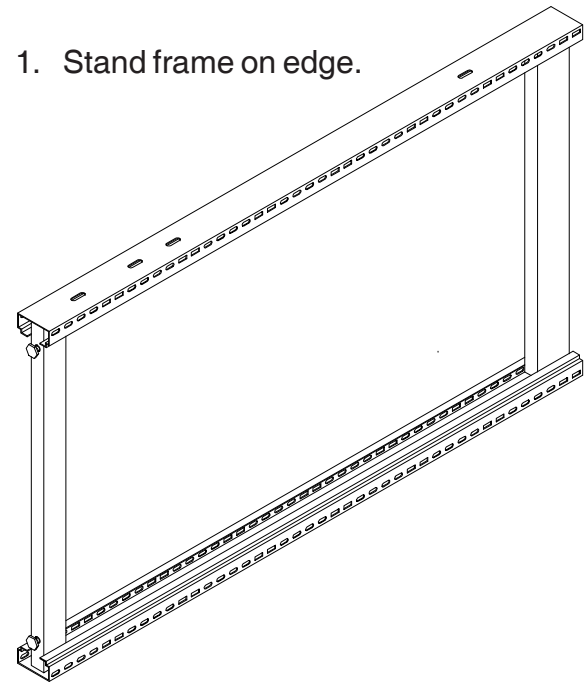
Weld Frame

A

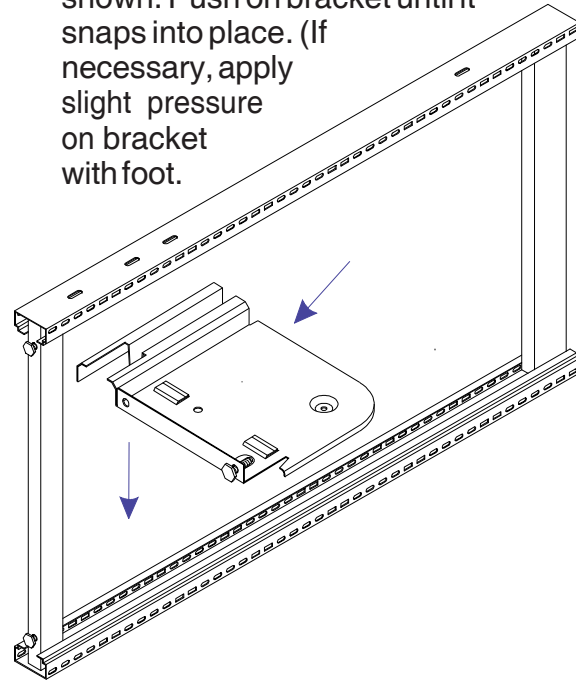


DOUBLE ENTRY ASSEMBLY INSTRUCTIONS BEGIN ON PAGE 8

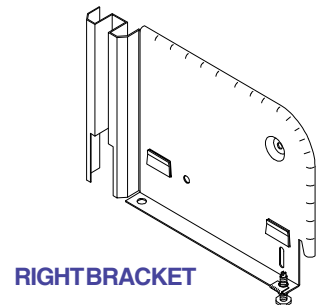
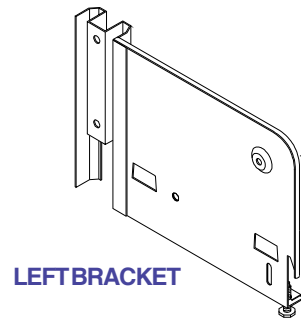
SINGLE ENTRY—Assembly



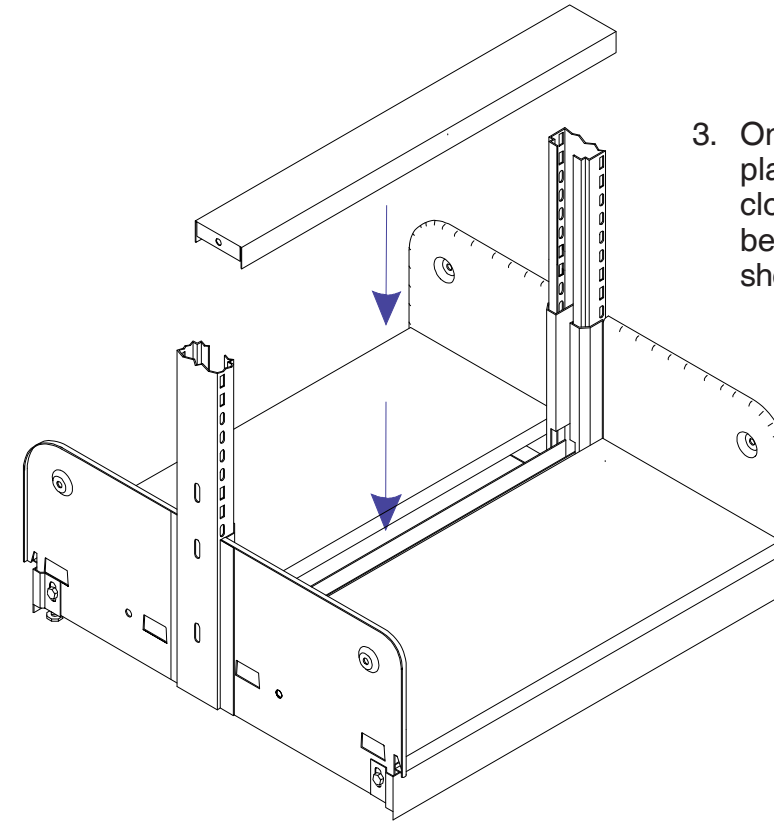
2. Place bracket into frame as shown. Push on bracket until it snaps into place. (If necessary, apply slight pressure on bracket with foot.)



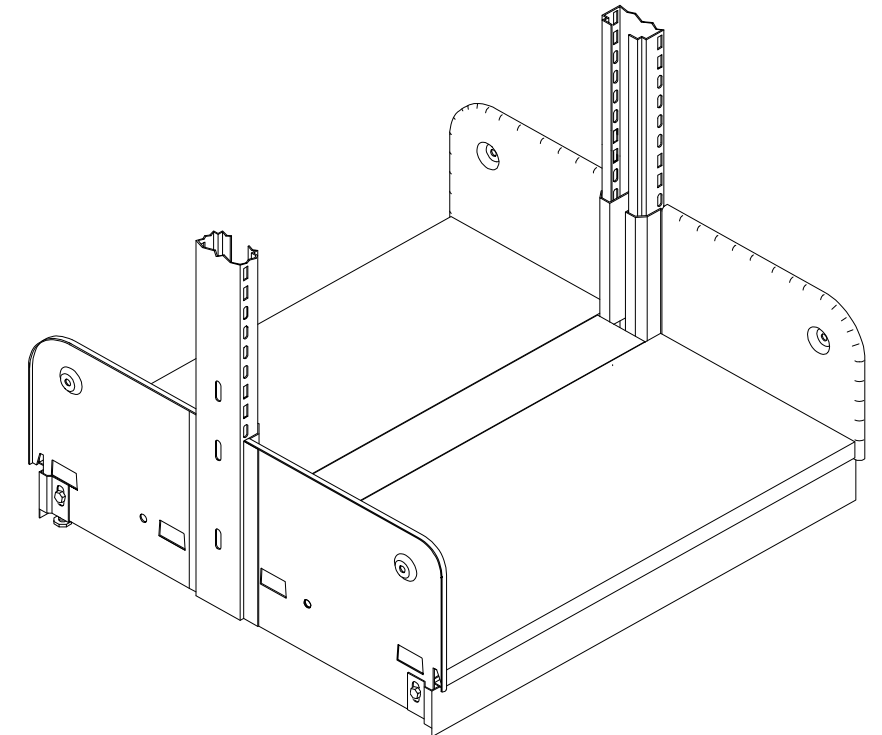
NOTE: On single face units, there are left and right hand brackets. Be sure brackets are attached on proper side of frame as indicated.



ADJUSTABLE BASE SHELF—Double Entry



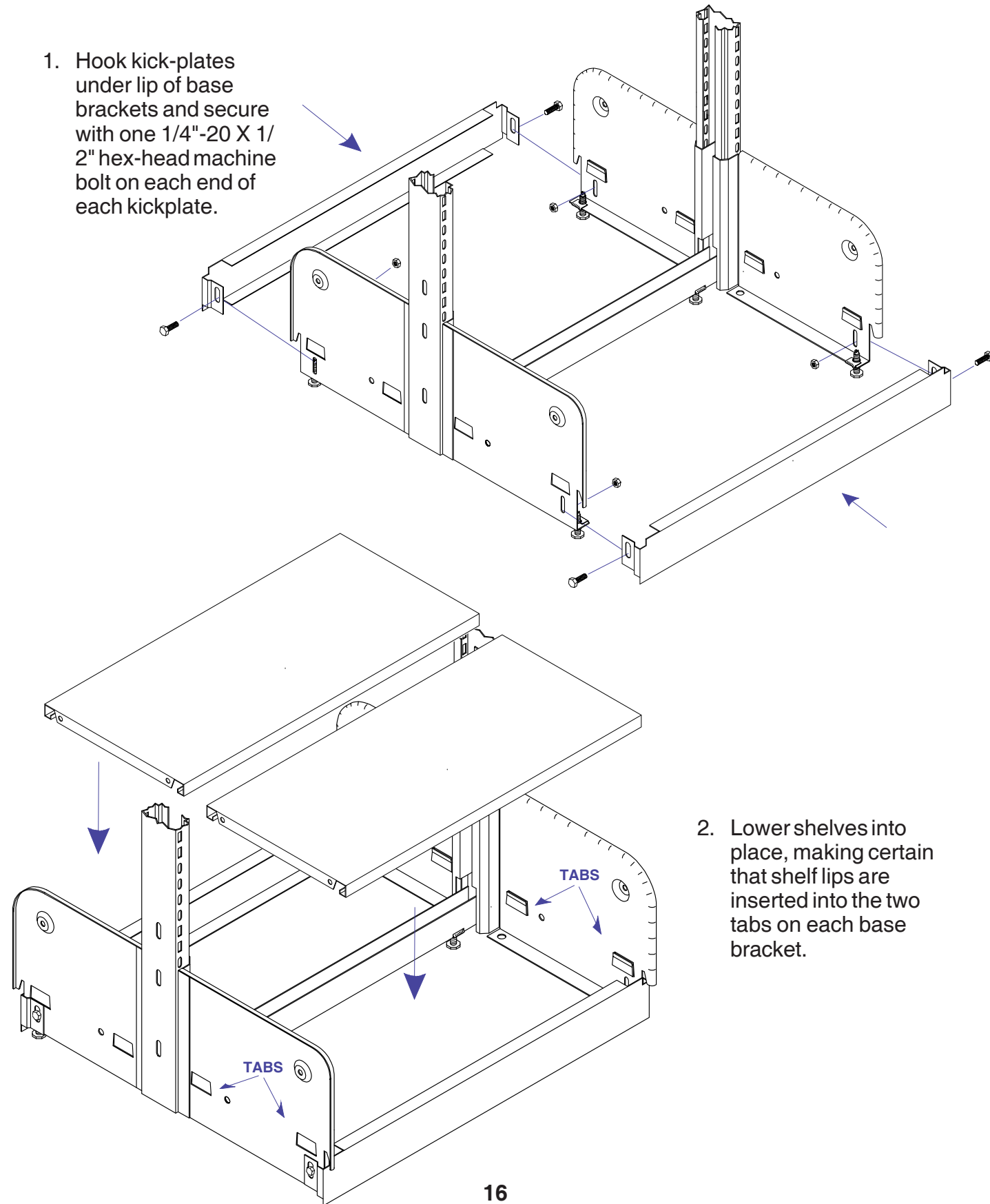
4. Completed shelf installation with all pieces in place.



If installing a divider base shelf, see inside back cover for backstop installation instructions

ADJUSTABLE BASE SHELF—Double Entry

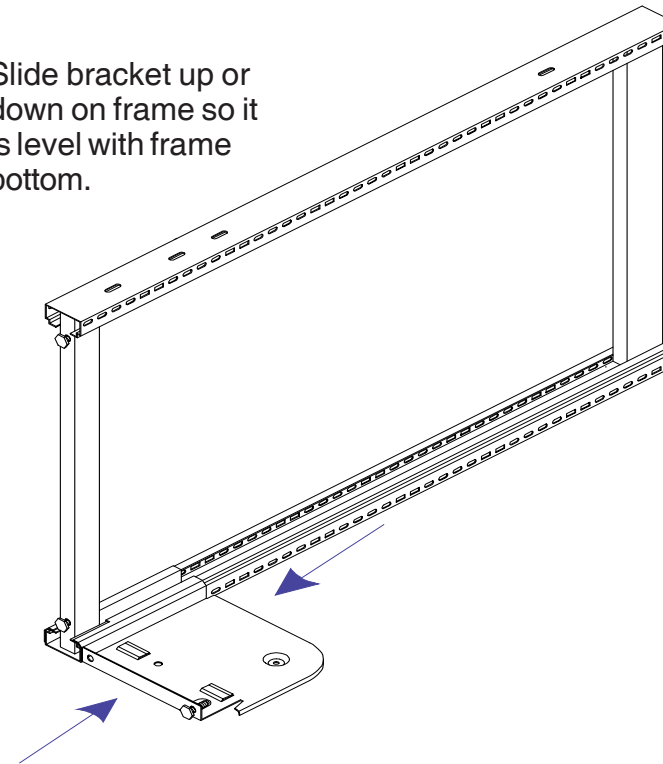
1. Hook kick-plates under lip of base brackets and secure with one 1/4"-20 X 1/2" hex-head machine bolt on each end of each kickplate.



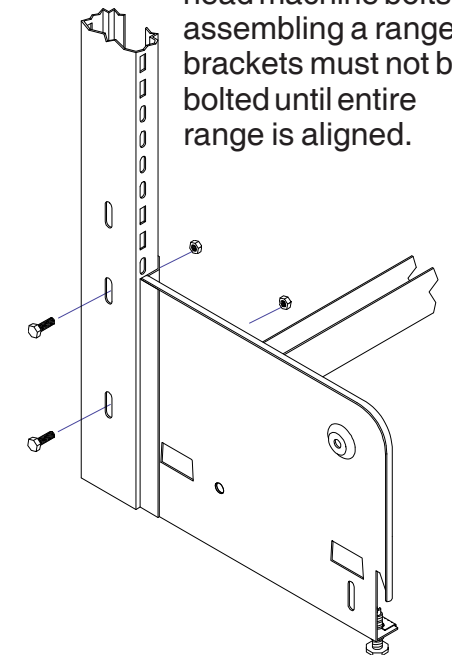
2. Lower shelves into place, making certain that shelf lips are inserted into the two tabs on each base bracket.

SINGLE ENTRY—Assembly

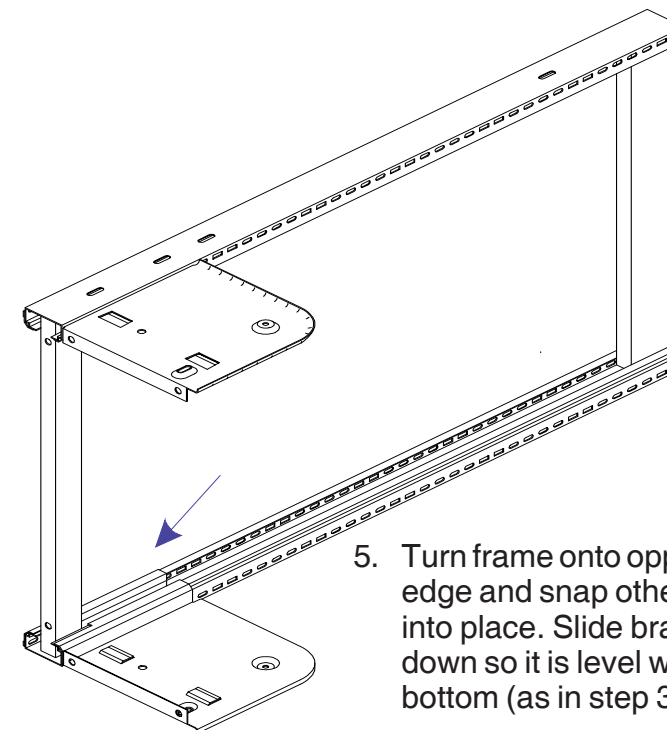
3. Slide bracket up or down on frame so it is level with frame bottom.



4. If assembling only a single unit, fasten bracket to frame with two 1/4"-20 x 1" hex-head machine bolts. If assembling a range, brackets must not be bolted until entire range is aligned.

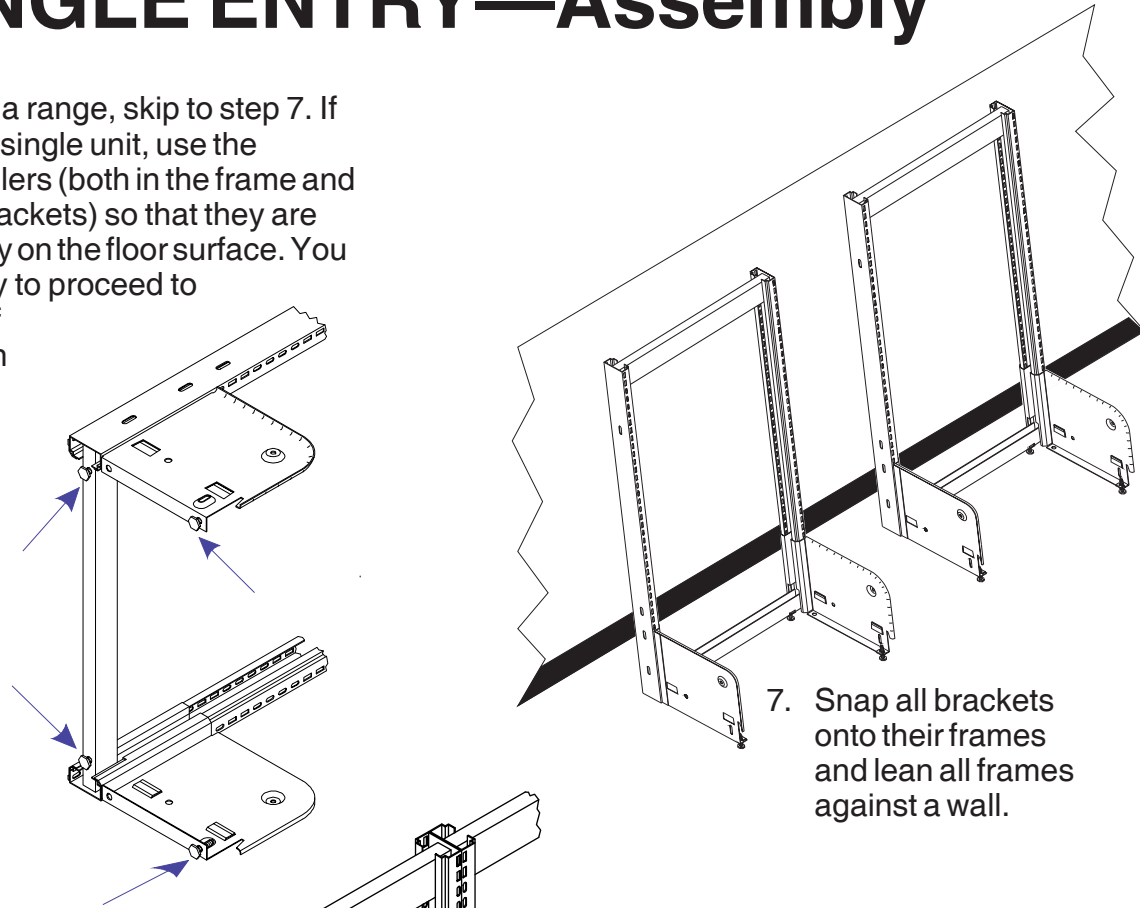


5. Turn frame onto opposite edge and snap other bracket into place. Slide bracket up or down so it is level with frame bottom (as in step 3).



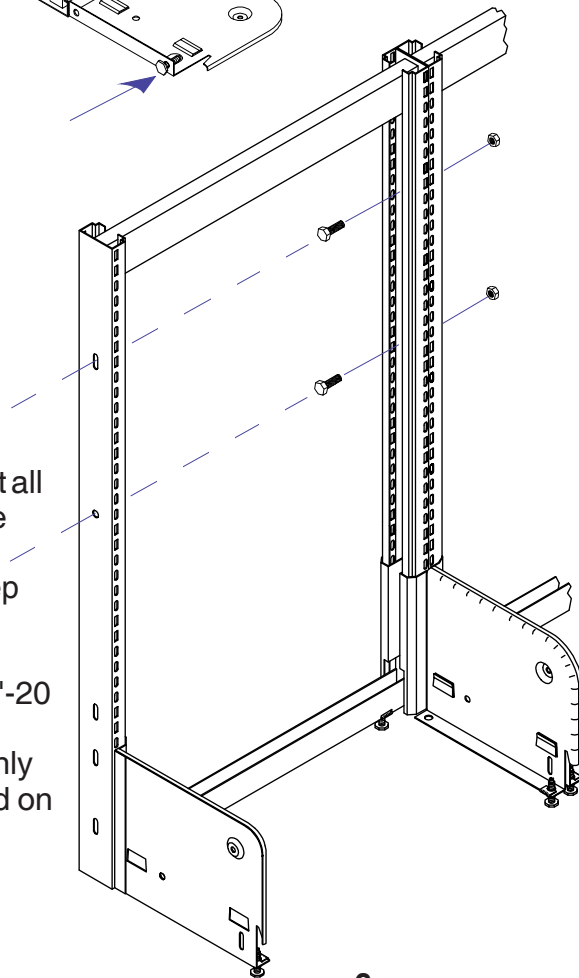
SINGLE ENTRY—Assembly

6. If assembling a range, skip to step 7. If assembling a single unit, use the adjusting levelers (both in the frame and in the base brackets) so that they are bearing evenly on the floor surface. You are now ready to proceed to the base shelf instructions on pages 12, 14 and 18.



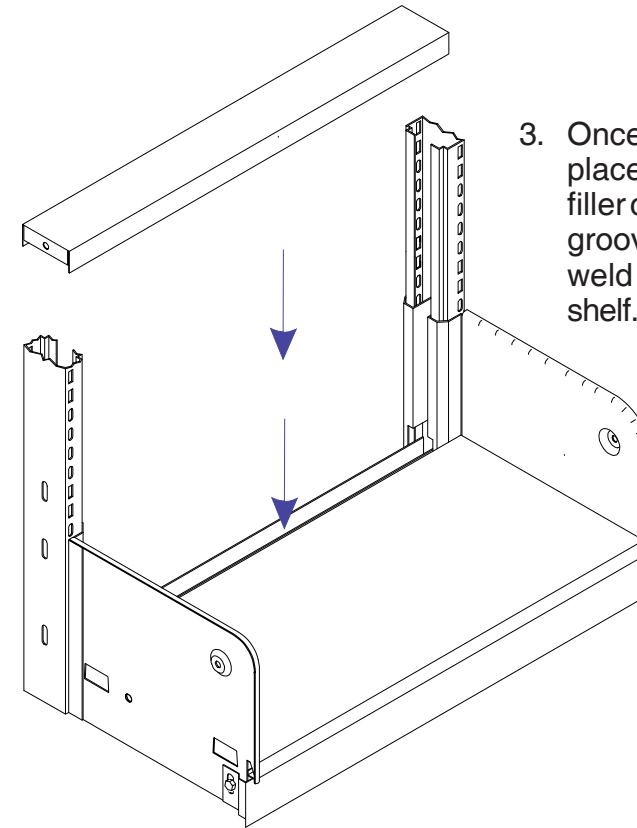
7. Snap all brackets onto their frames and lean all frames against a wall.

8. After ensuring that all base brackets are level with frame bottoms (as in step 3), bolt frames together in two locations with 1/4"-20 x 1/2" hex-head machine bolts. (Only one bolt is needed on 42" high units.)



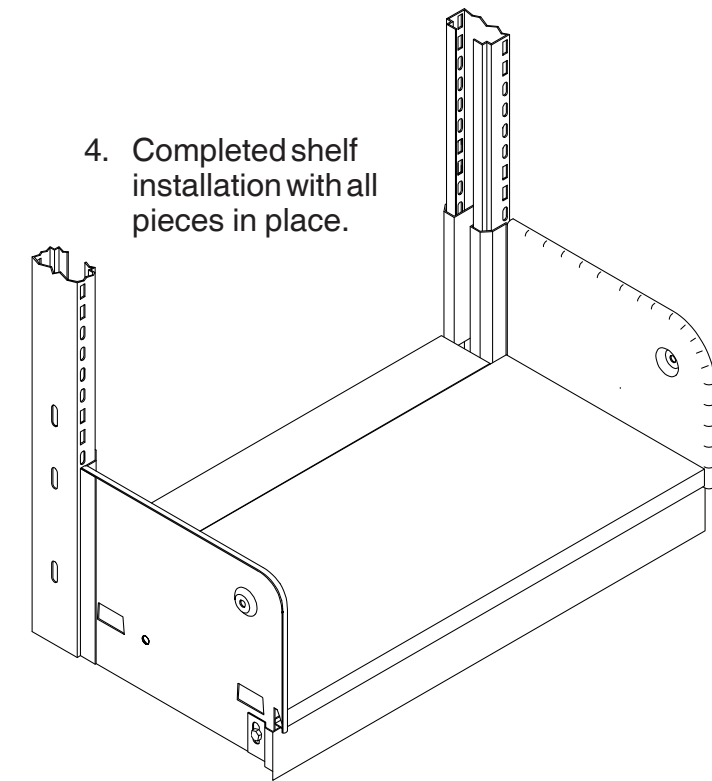
ADJUSTABLE BASE SHELF—Single Entry

3. Once shelf is in place, lower base filler closure into groove between weld frame and shelf.



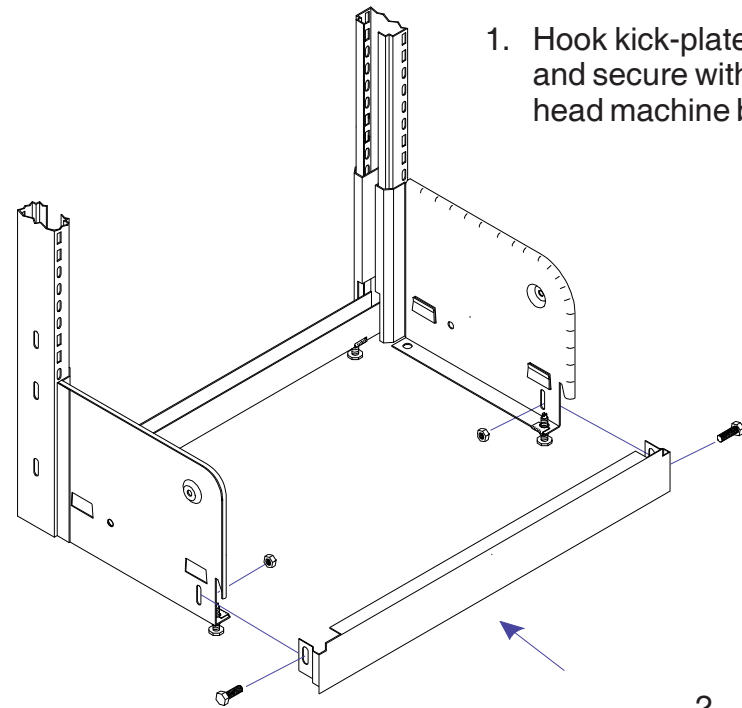
WARNING
Single-Entry units **MUST** be fastened to a wall. Failure to do so could result in injury.

4. Completed shelf installation with all pieces in place.



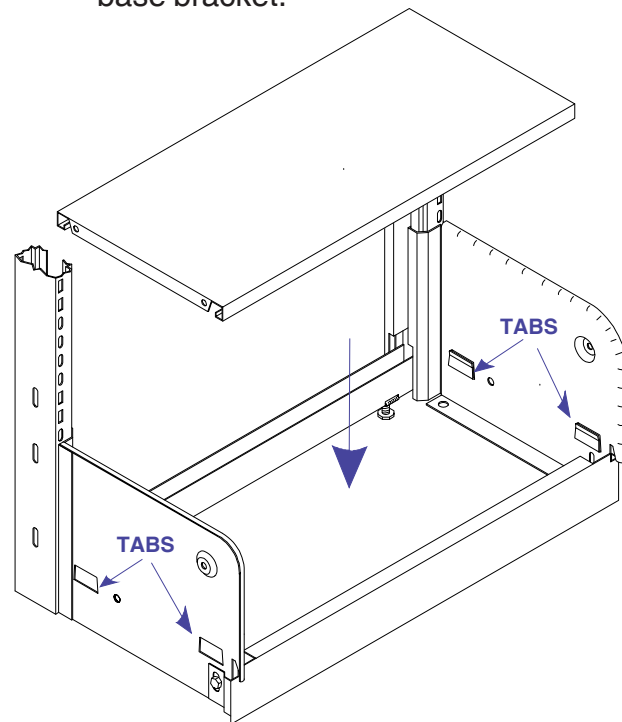
If installing a divider base shelf, see inside back cover for backstop installation instructions

ADJUSTABLE BASE SHELF—Single Entry



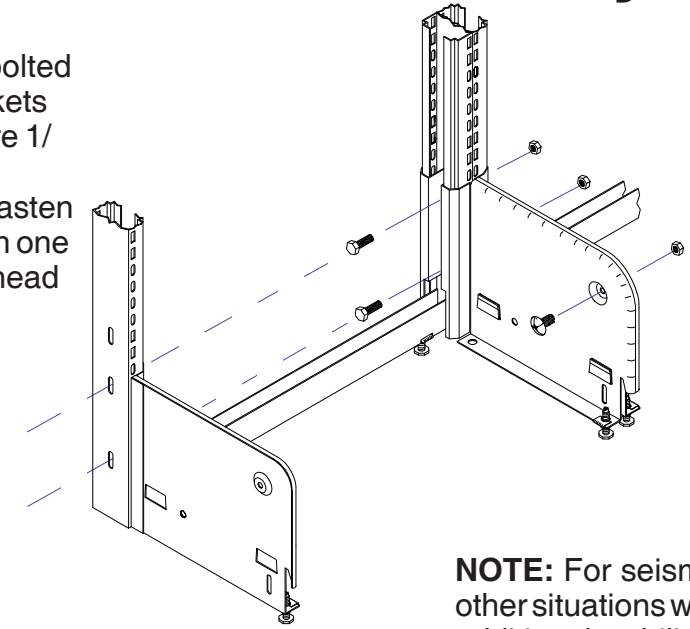
1. Hook kick-plate under lip of base bracket and secure with one 1/4"-20 X 1/2" hex-head machine bolt on each end.

2. Lower shelf into place, making certain that shelf flanges are inserted into the two tabs on each base bracket.

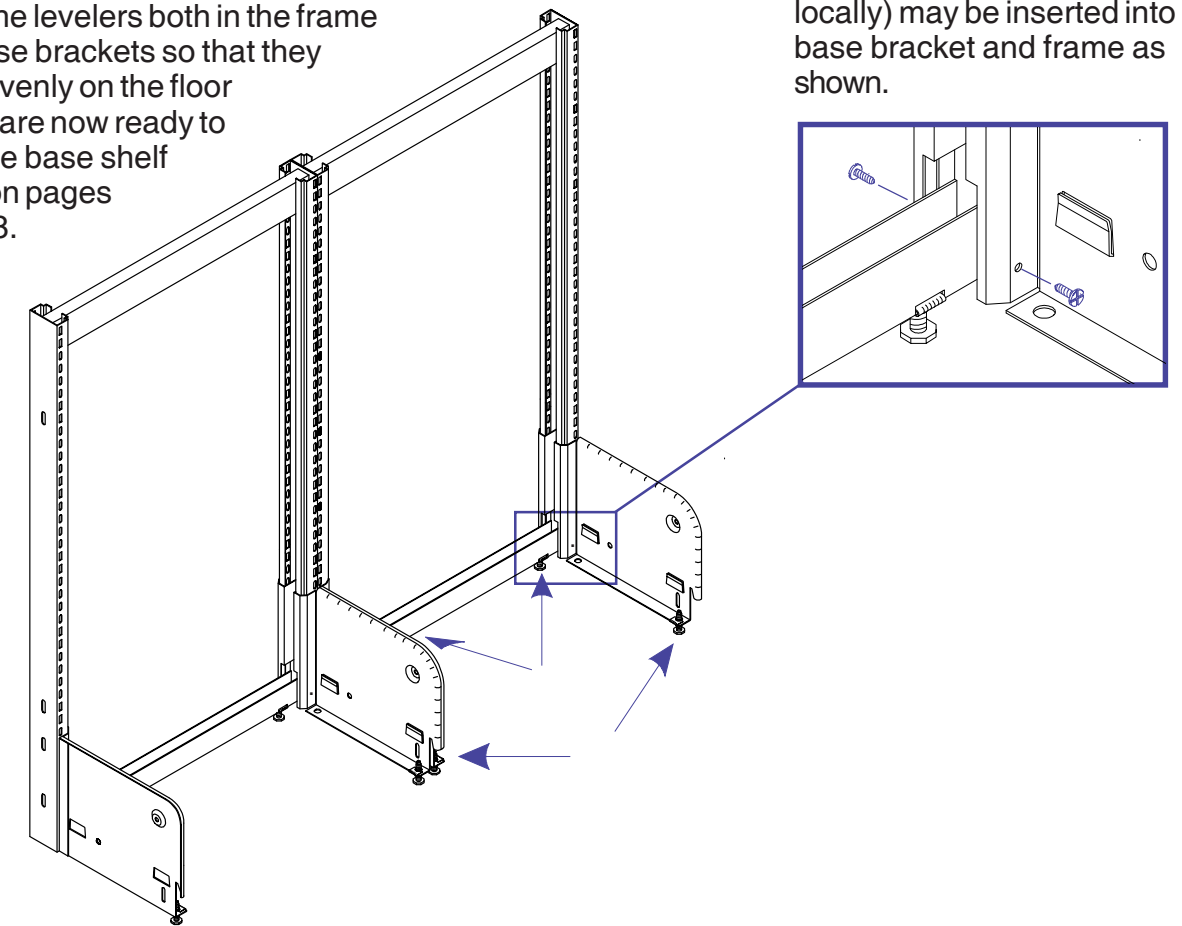


SINGLE ENTRY—Assembly

9. After entire range is bolted together, fasten brackets to frame with two more 1/4"-20 x 1" hex-head machine bolts. Then fasten brackets together with one 1/4"-20 x 3/8" round-head machine bolt.

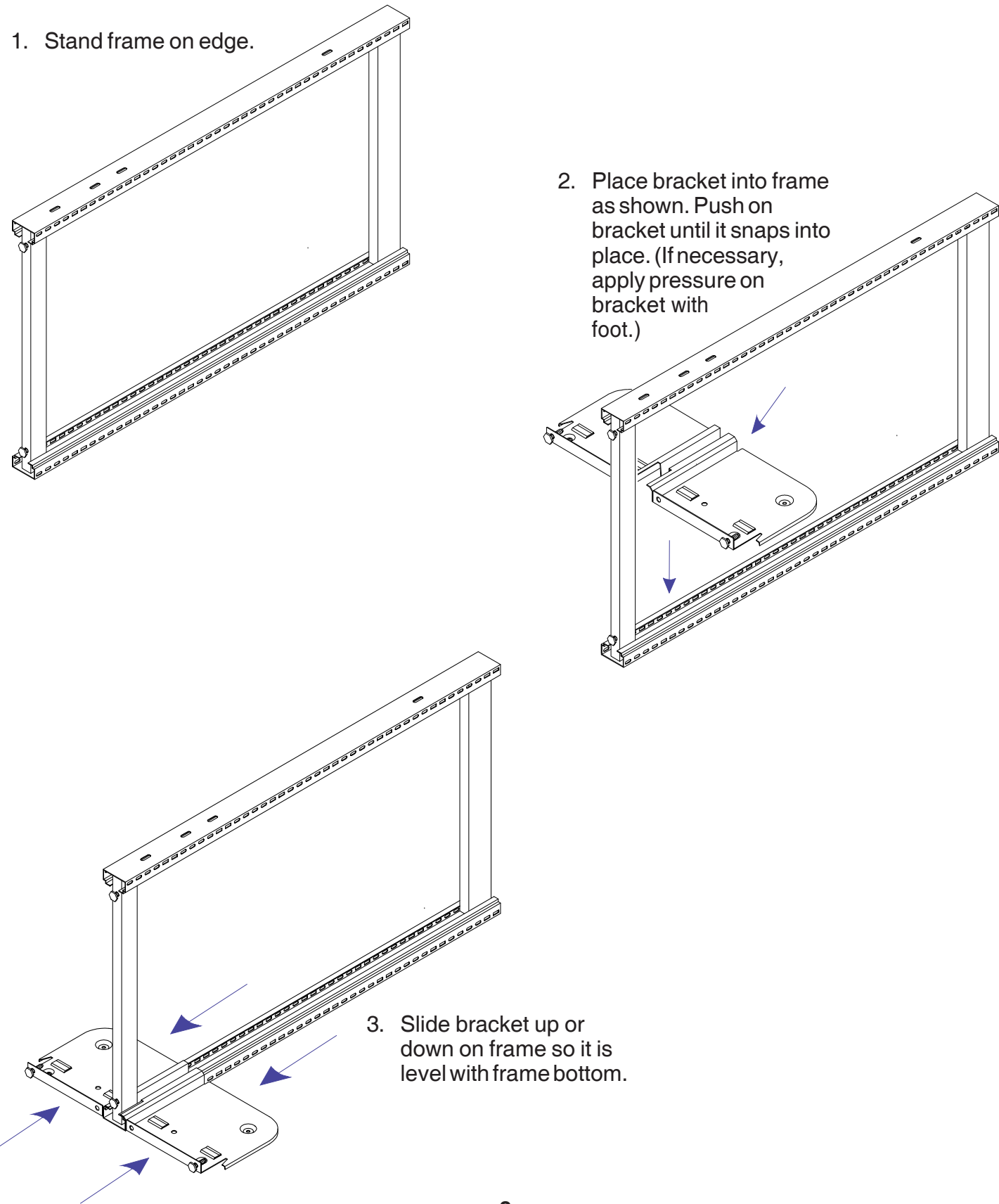


10. After all frames in a range are joined tightly together, the range should be leveled by means of adjusting the levelers both in the frame and in the base brackets so that they are bearing evenly on the floor surface. You are now ready to proceed to the base shelf instructions on pages 12, 14 and 18.

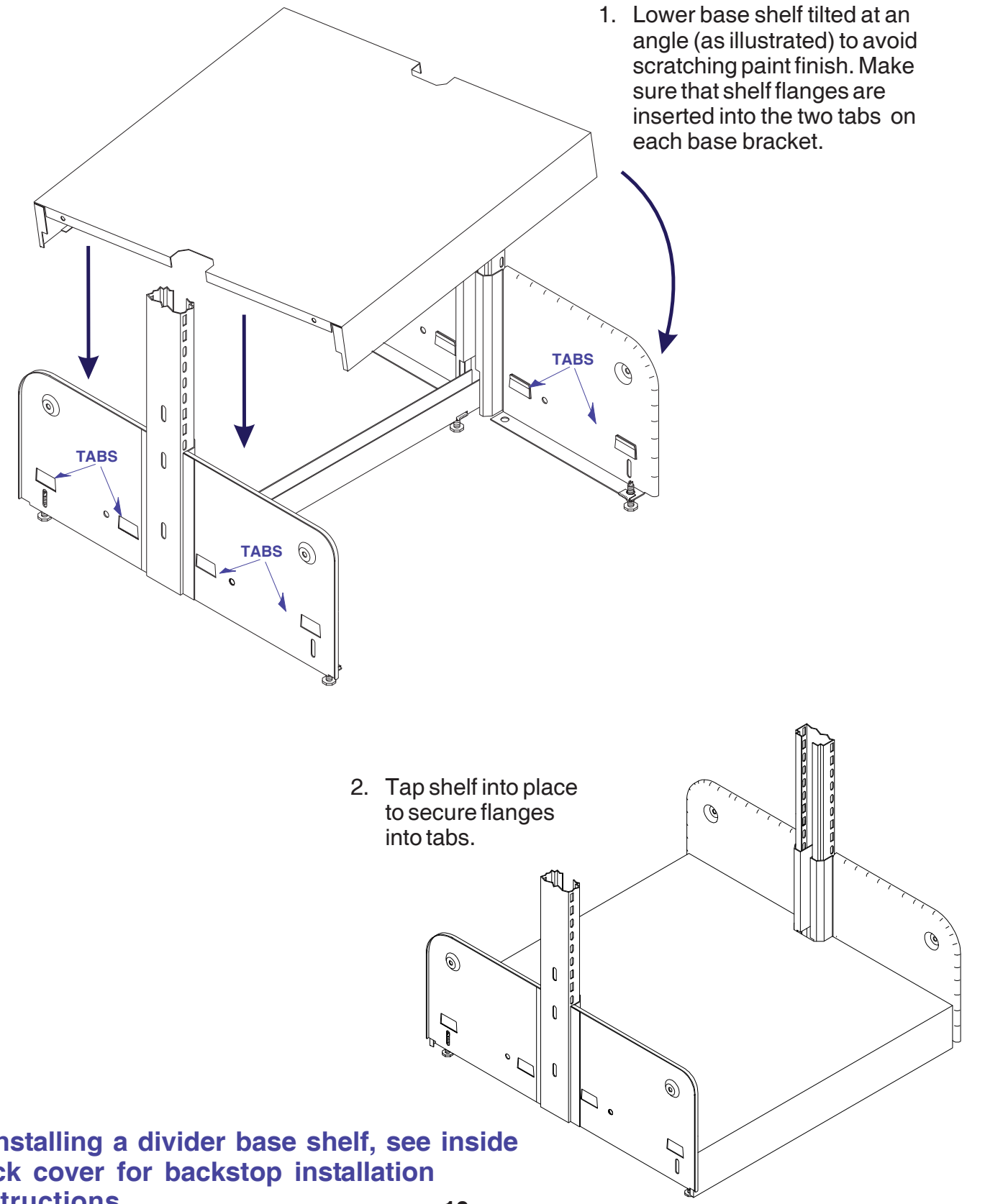


NOTE: For seismic or other situations where additional stability is required, two 3/16"-8 x 1" tech-screws (available locally) may be inserted into base bracket and frame as shown.

DOUBLE ENTRY—Assembly



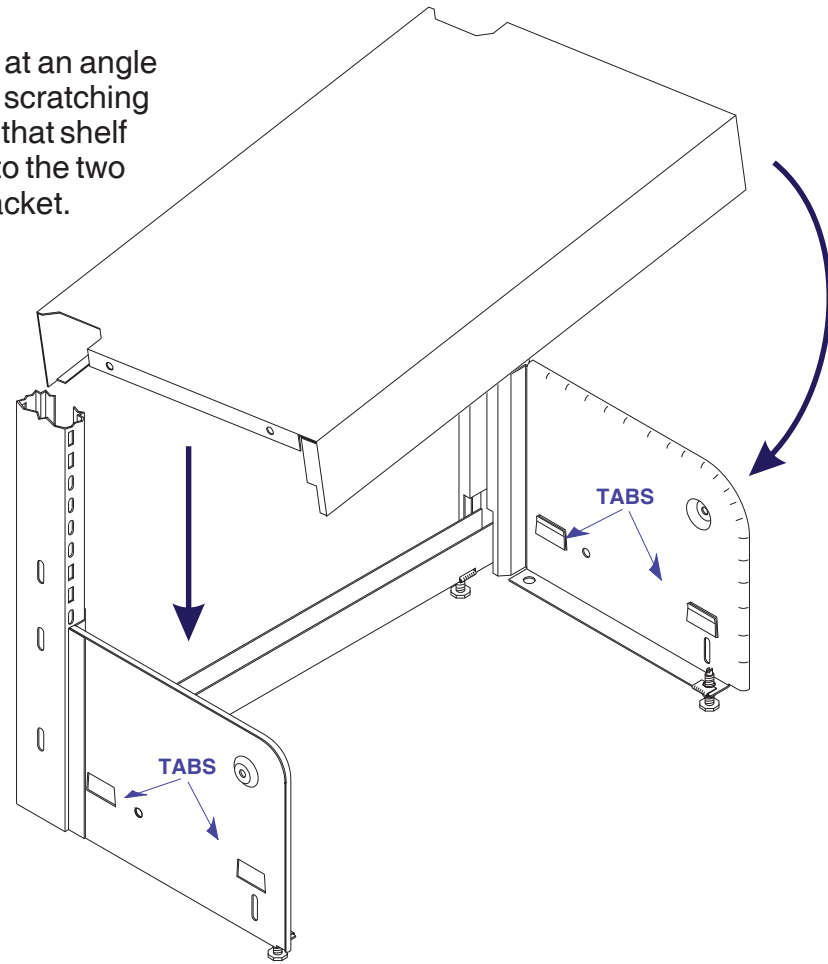
FIXED BASE SHELF—Double Entry



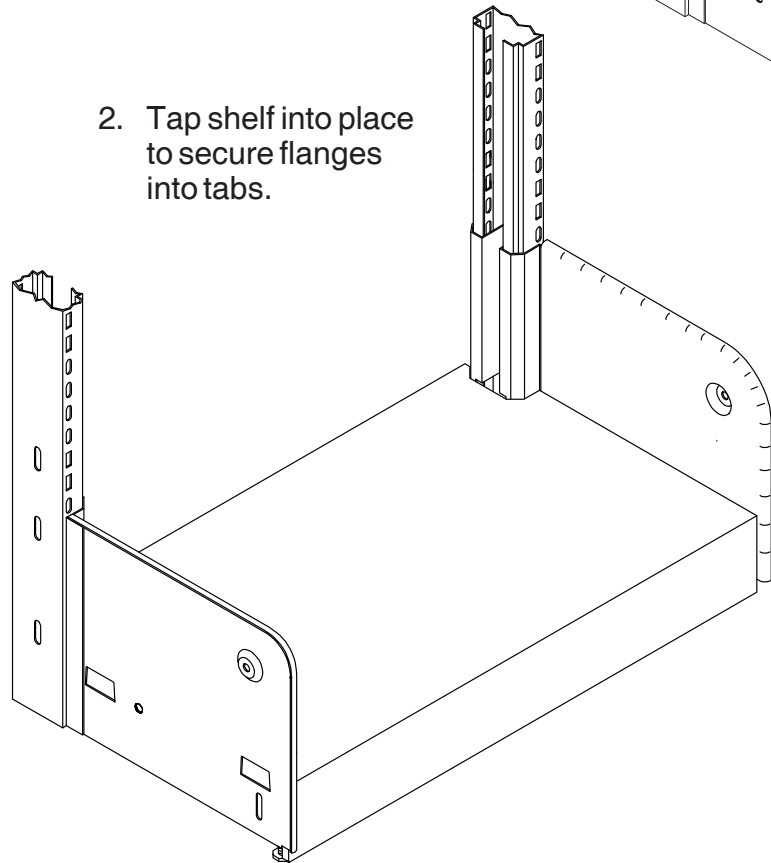
If installing a divider base shelf, see inside back cover for backstop installation instructions

FIXED BASE SHELF—Single Entry

1. Lower base shelf tilted at an angle (as illustrated) to avoid scratching paint finish. Make sure that shelf flanges are inserted into the two tabs on each base bracket.



2. Tap shelf into place to secure flanges into tabs.

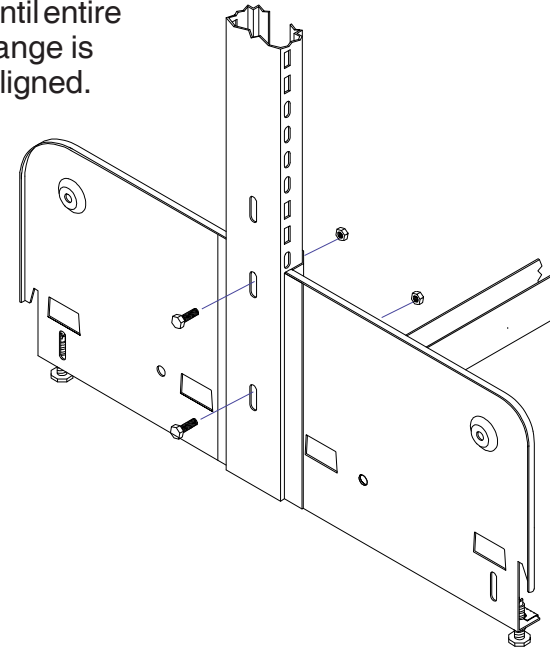


WARNING

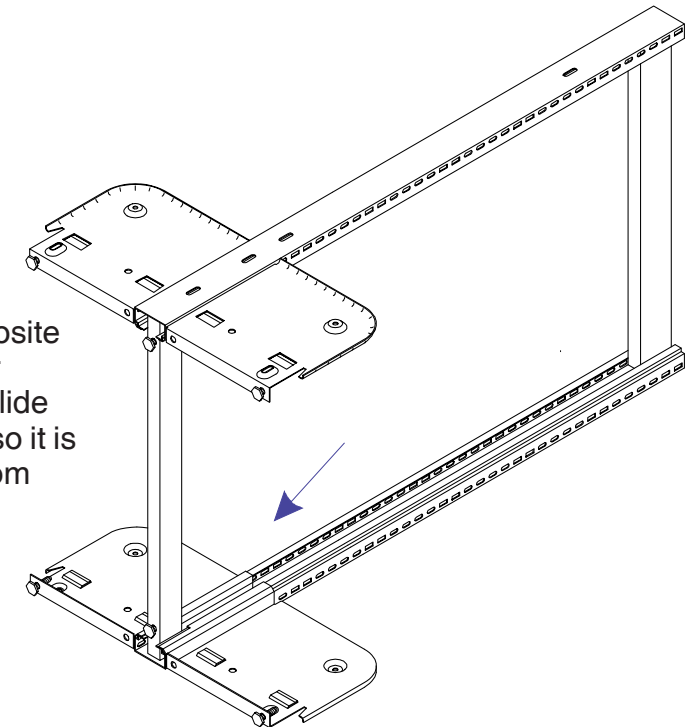
Single-Entry units **MUST** be fastened to a wall. Failure to do so could result in injury.

DOUBLE ENTRY—Assembly

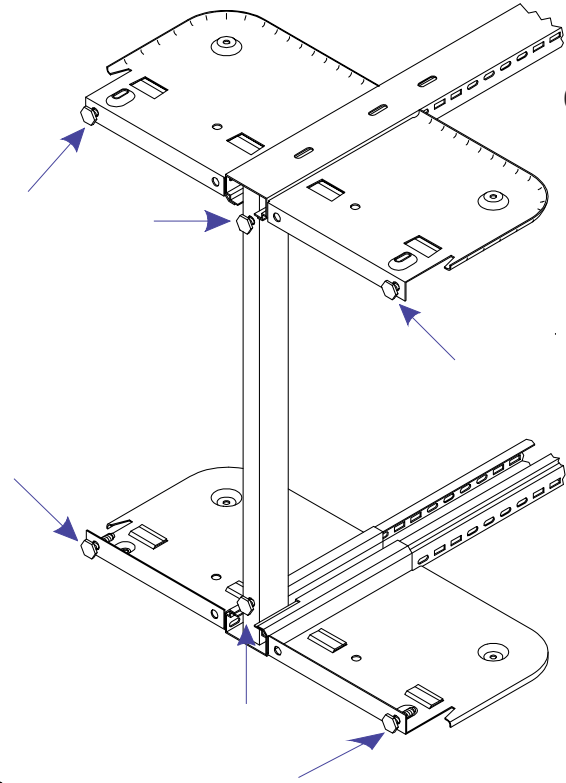
4. If assembling only a single unit, fasten bracket to frame with two 1/4"-20 x 1" hex-head machine bolts. If assembling a range, brackets must not be bolted until entire range is aligned.



5. Turn frame onto opposite edge and snap other bracket into place. Slide bracket up or down so it is level with frame bottom (as in step 3).

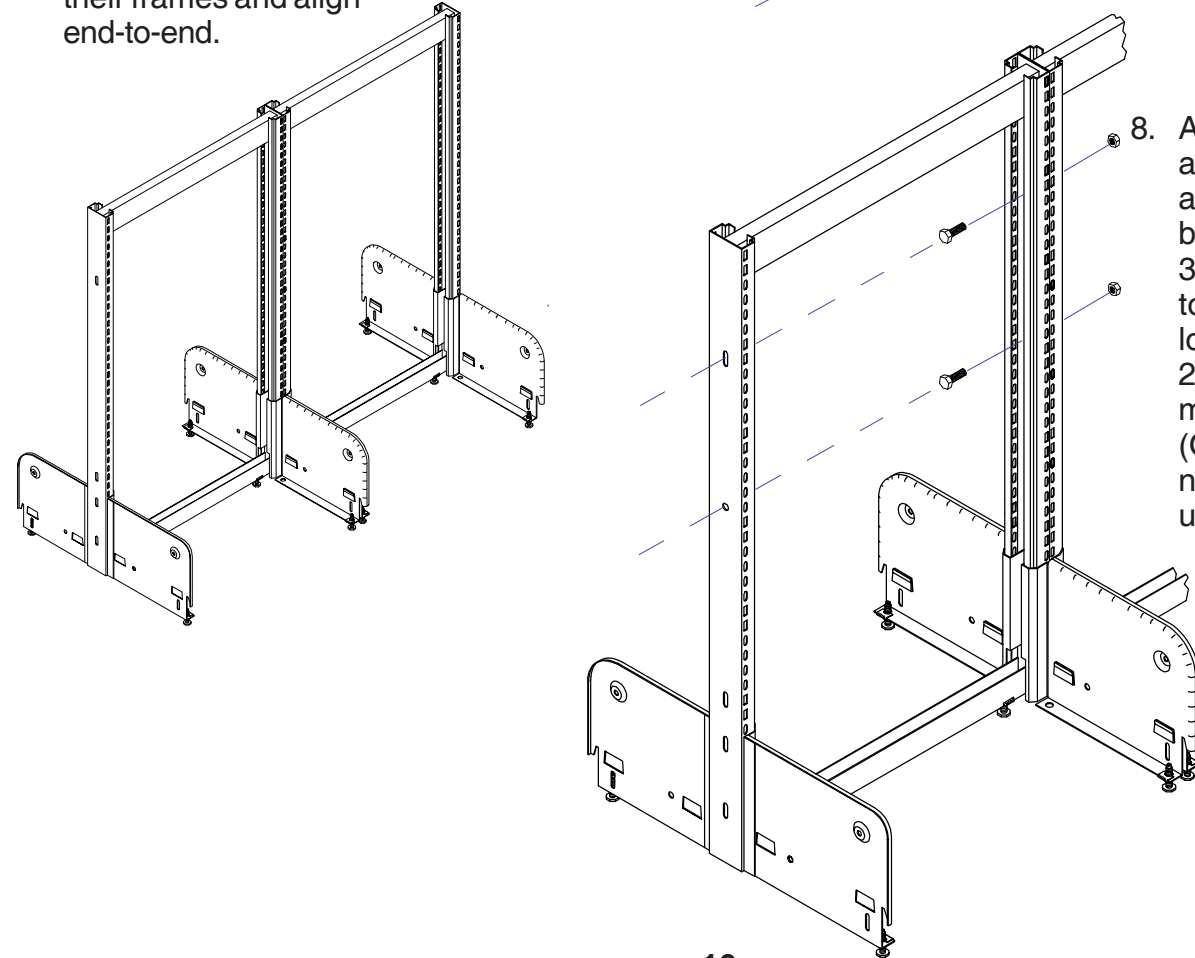


DOUBLE ENTRY—Assembly



7. Snap all brackets onto their frames and align end-to-end.

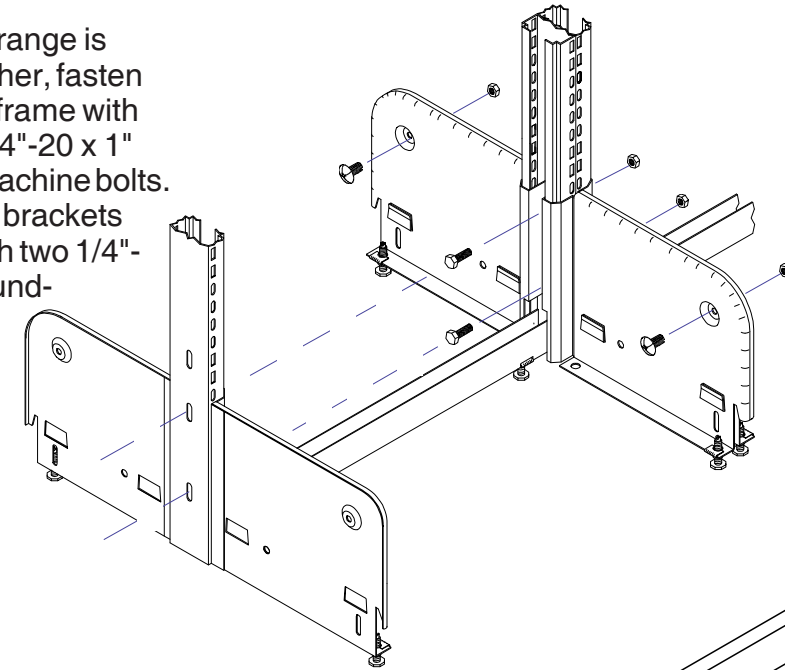
6. If assembling a range, skip to step 7. If assembling a single unit, use the adjusting levelers (both in the frame and in the base brackets) so that they are bearing evenly on the floor surface. You are now ready to proceed to the base shelf instructions on pages 13, 16 and 18.



8. After ensuring that all base brackets are level with frame bottoms (as in step 3), bolt frame together in two locations with 1/4\"/>

DOUBLE ENTRY—Assembly

9. After entire range is bolted together, fasten brackets to frame with two more 1/4\"/>



NOTE: For seismic or other situations where additional stability is required, two 3/16\"/>

9. After all frames in a range are joined tightly together, the range should be leveled by means of adjusting the levelers both in the frame and in the base brackets so that they are bearing evenly on the floor surface. You are now ready to proceed to the base shelf instructions on pages 13, 16 and 18.

