

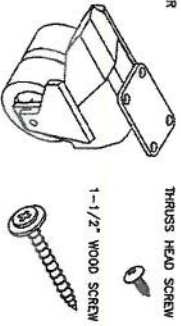
WB-0383

TWO SIDED LIBRARY CART

PACKING LIST

REF. NO.	ITEM NO.	REQ'D	DESCRIPTION
1	081-539	4	LOCKING CASTER
2	013-532	16	1/2" THRUSSE HEAD SCREW
3	013-019	8	1-1/2" WOOD SCREW
4	WB0383	1	CART BASE
5	WB0383	2	SMALL BOOK REST
6	WB0383	1	LARGE BOOK REST

HARDWARE



LOCKING CASTER

THRUSSE HEAD SCREW

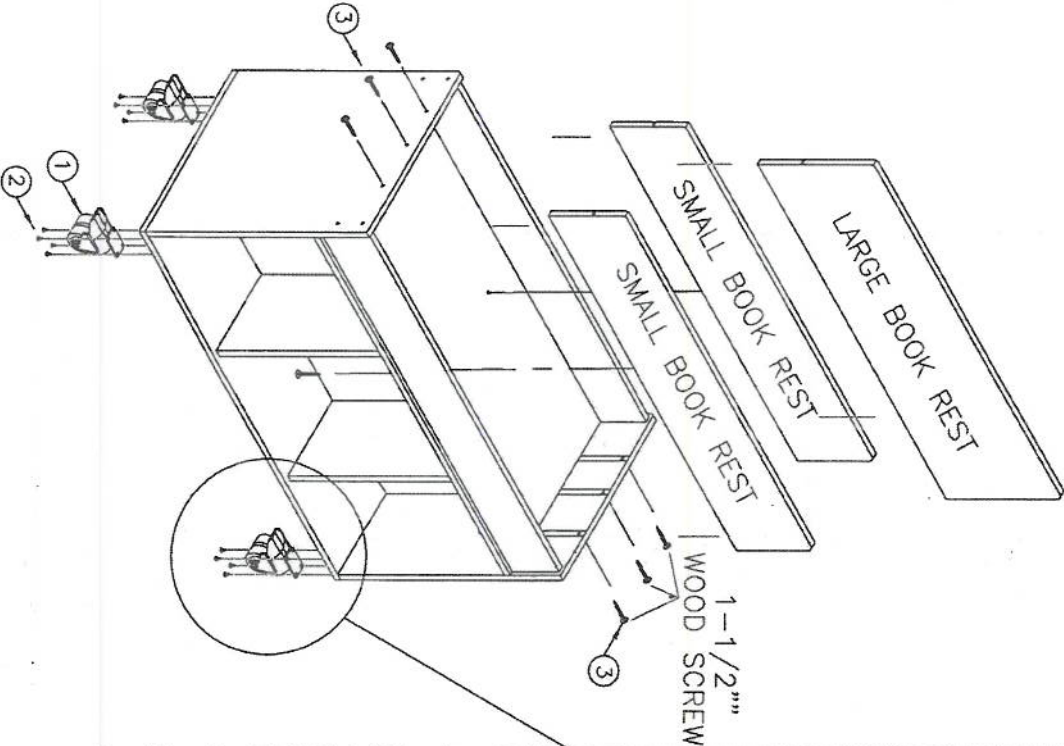
1-1/2" WOOD SCREW

PHILIPS HEAD SCREW DRIVER NOT INCLUDED

SAFETY NOTE
This Whitney Bros. Co. product is designed for supervised use in preschools or day care centers. The materials and workmanship meet all known safety requirements. It is as safe as we know how to make it. To prevent accidental tipping, we strongly recommend this product be anchored to the floor or wall. It is the consumer's responsibility to ensure this unit is installed according to all applicable regulations and/or in a safe manner consistent with its intended purpose.

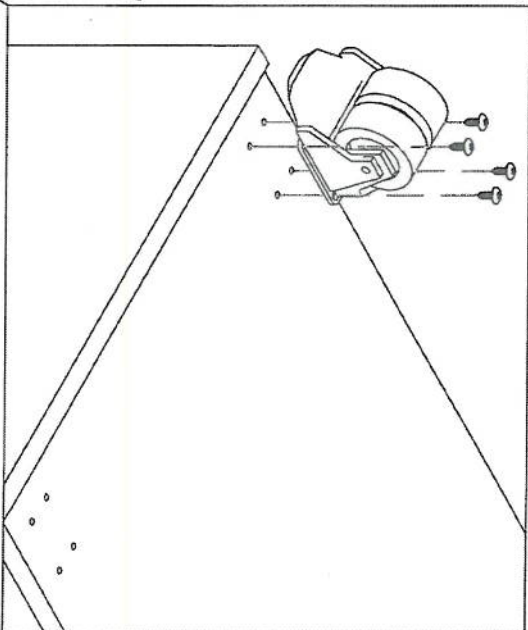
ASSEMBLY INSTRUCTIONS

1. Read all the assembly instructions before starting to assemble the item.
2. Open the hardware pack, sort and identify the different fasteners you will be using.
3. Follow each step in order and make sure all fasteners are tightened when finished.
4. DO NOT use power drivers. It is too easy to over tighten or strip the fasteners with power tools!



Step 1

Roll the unit over on to its top. It is easier and safer to do this with assistance from another person. Attach each Caster (1) to the bottom of the unit using four thruss head screws, each into a pre-drilled hole in the bottom of the unit. Now roll the unit back over on to the Casters.



Note: The Casters have a lever to lock them. To lock the Casters place the lever so the front edge is in the down position. To unlock the Casters place the lever in the up position.

Step 2

Place the Large Book Rest in the middle grooves in the wall of the side. Locate the two Small Book Rests. Slide them into the grooves on either side of the Large Book Rest. See figure 1.1. Secure all three book rest with eight 1-1/2" Wood Screws (3) and a hand Phillips head screw driver.

Note: three screws go into either side and two go up into the Small Book Rests See Figure 1.1.

Step 3

Now go back and tighten up all the Screws.

Enjoy your new Two Sided Library Cart.



WHITNEY BROTHERS
EDUCATIONAL FURNITURE FOR CHILDREN

For assistance, please call us toll free
1-(800)-225-5381
or visit us at

WWW.WHITNEYBROS.COM